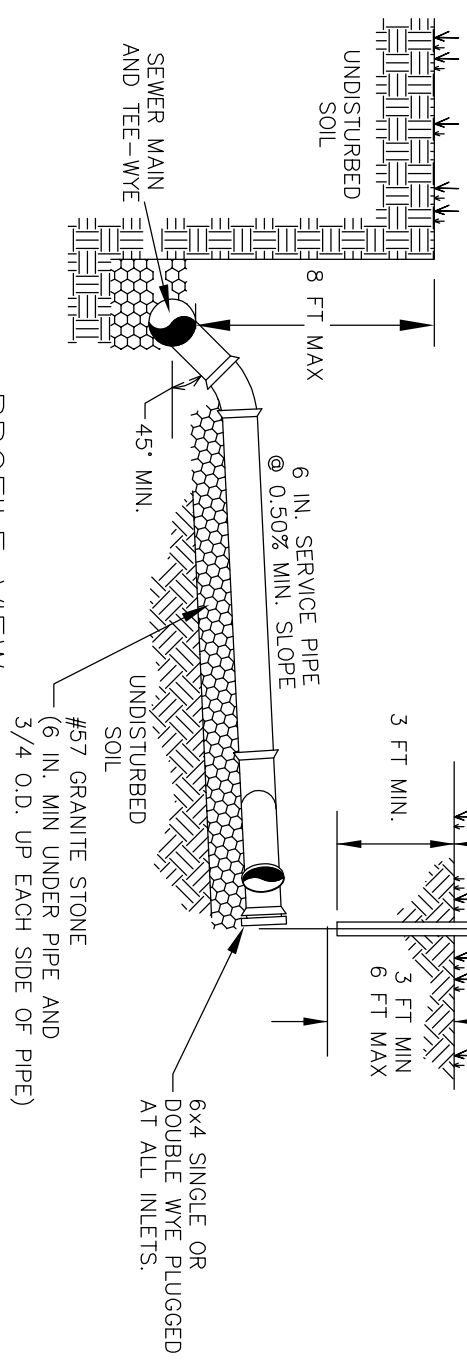


PLAN VIEW

NOTE:
INSTALL 3 IN. WARNING
TAPE 18 IN. ABOVE MAINS
AND SERVICES.



PROFILE VIEW

TYPICAL SHALLOW SEWER SERVICE
CONSTRUCTION DETAIL

NOT-TO-SCALE

NORTH CHARLESTON SEWER DISTRICT	
7255 STALL ROAD, NORTH CHARLESTON, SC 29406	
PH: (843) 764-3072 FAX: (843) 764-2655	
NCS.D. STANDARD DETAILS	
SHALLOW SEWER SVC. DETAIL	
REV. DATE: 3-2-2011	DWG#: GS-008