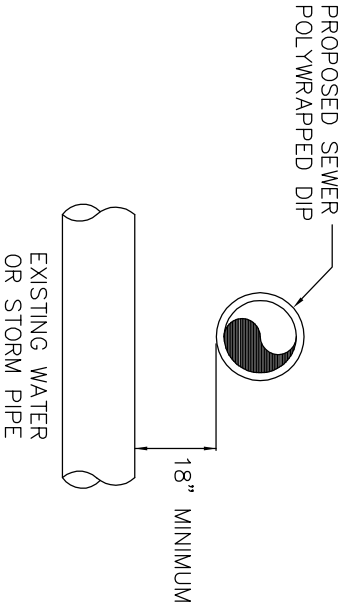
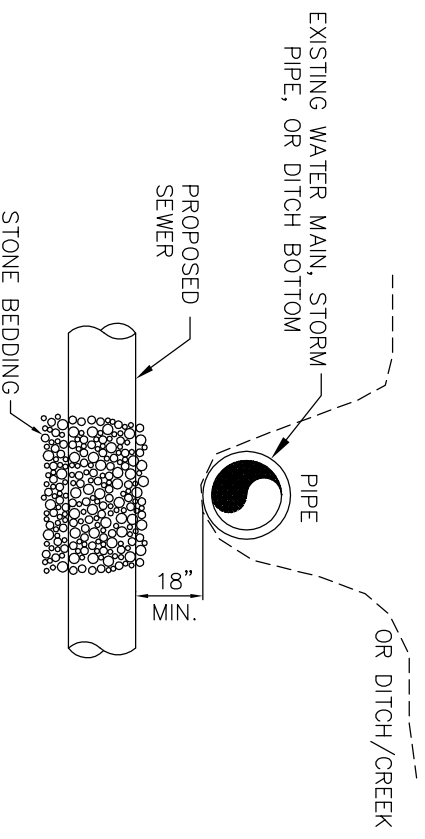


- NOTES:
1. IF THE MINIMUM CLEARANCE IS NOT MET, THE SEWER SHALL BE DUCTILE IRON PIPE AND THE DIP SHALL BE CENTERED OVER THE EXISTING PIPE.



SEWER CROSSING OVER EXISTING PIPE

- NOTES:
1. SOIL REPLACED UNDER THE EXISTING WATER OR STORM PIPE SHALL BE WELL COMPACTED PER APPLICABLE AGENCY STANDARDS.
 2. IF CLEARANCE IS LESS THAN 18", DUCTILE IRON PIPE SHALL BE USED IN PLACE OF PVC AND THE DIP SHALL BE CENTERED UNDER THE EXISTING WATER MAIN, STORM PIPE, OR DITCH.



SEWER CROSSING UNDER EXISTING PIPE

**NORTH CHARLESTON
SEWER DISTRICT**
7255 STALL ROAD, NORTH CHARLESTON, SC 29406
PH: (843) 764-3072 FAX: (843) 764-2655

NCS.D. STANDARD DETAILS

SEWER CROSSING OVER/UNDER EX. PIPE

REV. DATE: 3-2-2011

DWG#:

GS-015