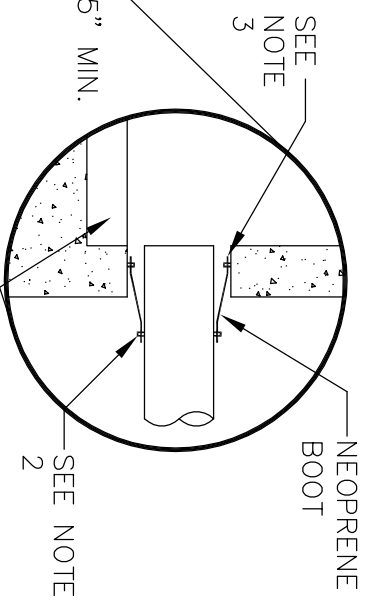


NOTES:

1. NEOPRENE BOOT, KOR-N-SEAL OR EQUAL, TO BE USED ON ALL PRECAST MANHOLES WITH ALL TYPES OF PIPES.
2. EXTERNAL BAND (300-SERIES NON-MAGNETIC CORROSION-RESISTANT STEEL).
3. KORBAND (6061-T6 ALUMINUM ALLOY WITH A BLACK ANODIZED SURFACE).
4. NONSHRINK GROUT INSIDE MANHOLE TO MATCH FINISH WALL.



STANDARD PRECAST CONCRETE MANHOLE

NOT TO SCALE

NORTH CHARLESTON SEWER DISTRICT	
7255 STALL ROAD, NORTH CHARLESTON, SC 29406	
PH: (843) 764-3072	FAX: (843) 764-2655
NCS.D. STANDARD DETAILS	
STANDARD PRECAST CONCRETE MANHOLE	
REV. DATE: 3-2-2011	DWG#: GS-001