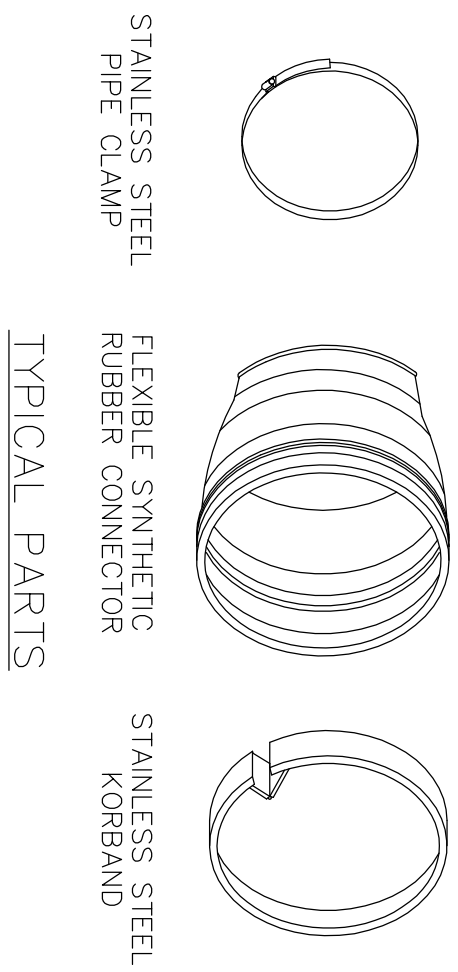


- NOTES:**
1. NEOPRENE BOOT, KOR-N-SEAL OR EQUAL, TO BE USED ON ALL PRECAST MANHOLES WITH ALL TYPES OF PIPES.
 2. EXTERNAL BAND (300-SERIES NON-MAGNETIC CORROSION-RESISTANT STEEL).
 3. KORBAND (6061-T6 ALUMINUM ALLOY WITH A BLACK ANODIZED SURFACE).



MANHOLE INVERT "BOOT"
 NOT-TO-SCALE

NORTH CHARLESTON SEWER DISTRICT	
7255 STALL ROAD, NORTH CHARLESTON, SC 29406 PH: (843) 764-3072 FAX: (843) 764-2655	
NCS.D. STANDARD DETAILS	
MANHOLE INVERT "BOOT"	
REV. DATE: 3-2-2011	DWG#: GS-013