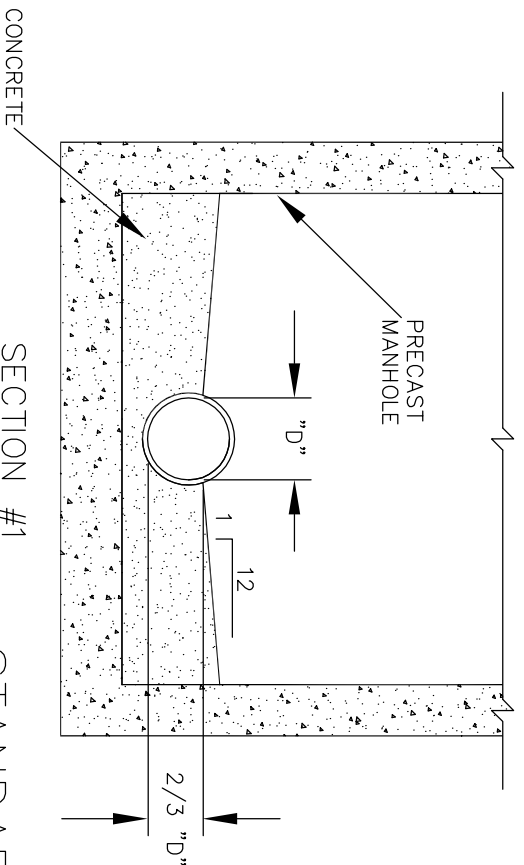
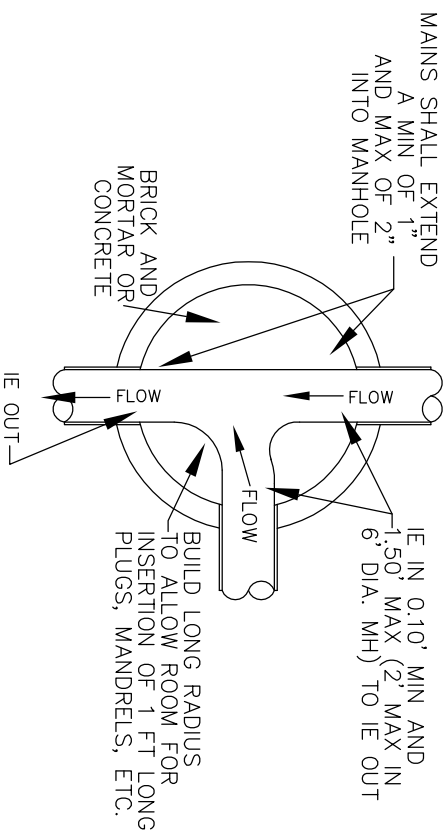


CHANNELS SHALL BE FORMED TO ALLOW TESTING MANDREL TO BE INSERTED OR REMOVED INTO PIPES

PLAN VIEW #1



SECTION #1

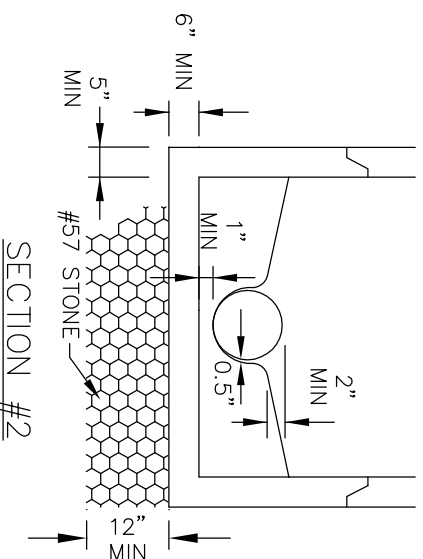


MAINS SHALL EXTEND A MIN OF 1\"/>

BRICK AND MORTAR OR CONCRETE

BUILD LONG RADIUS TO ALLOW ROOM FOR INSERTION OF 1 FT LONG PLUGS, MANDRELS, ETC.

PLAN VIEW #2



SECTION #2

STANDARD MANHOLE CHANNEL AND BENCH

NCSD. STANDARD DETAILS

NORTH CHARLESTON SEWER DISTRICT

7255 STALL ROAD, NORTH CHARLESTON, SC 29406
 PH: (843) 764-3072 FAX: (843) 764-2655

MANHOLE CHANNEL & BENCH DTLS.

REV. DATE: 3-2-2011

DWG#:

GS-014