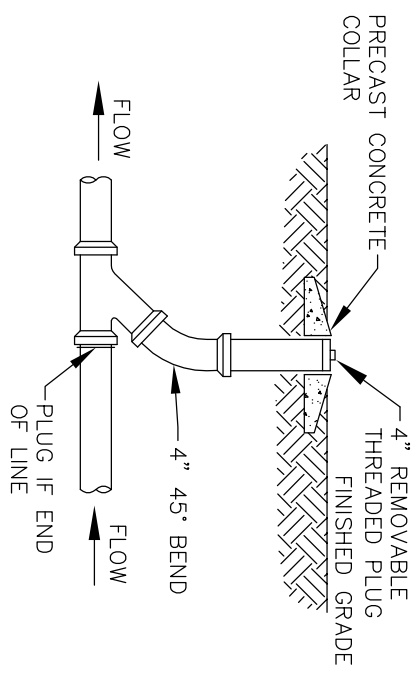
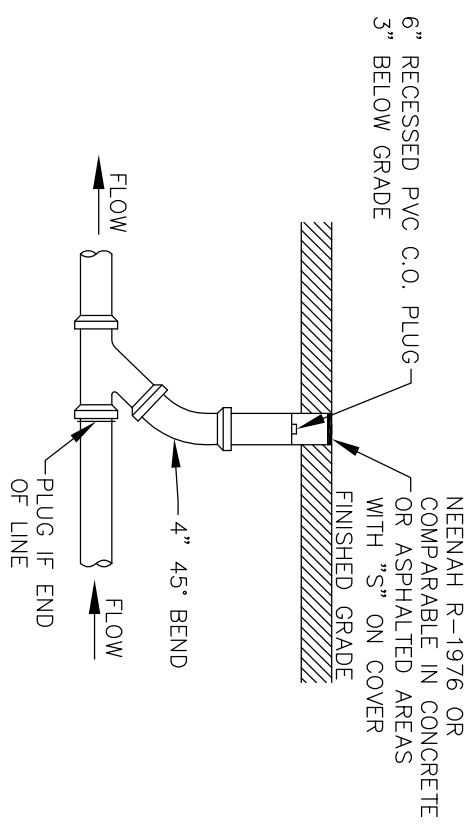


PRECAST CONCRETE COLLAR



CLEANOUT DETAIL

NOT TO SCALE

NOTE:  
CLEANOUTS TO BE PROVIDED ON ALL SERVICE LATERALS AT 50' INTERVALS AND AT CHANGES IN DIRECTION.

<b>NORTH CHARLESTON SEWER DISTRICT</b>	
7255 STALL ROAD, NORTH CHARLESTON, SC 29406	
PH: (843) 764-3072 FAX: (843) 764-2655	
<b>NCS.D. STANDARD DETAILS</b>	
CLEANOUT DETAIL F/SWR. SVC.	
REV. DATE: 3-2-2011	DWG#: GS-010